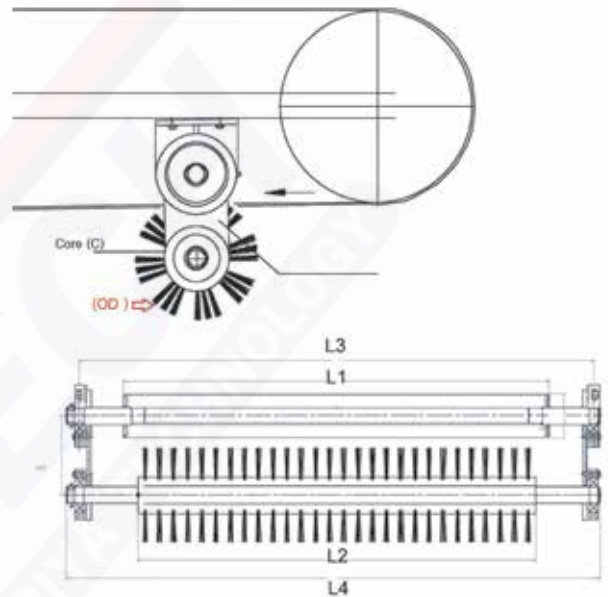
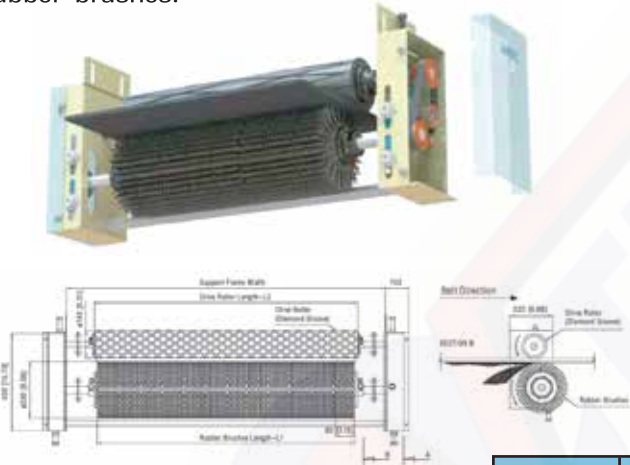


ROLLER BRUSH MODEL 109

Rubber Brush Cleaner ชุดทำความสะอาดสายพานอัตโนมัติ

Without a hold-down roller, the rubber brush cleaner works when the belt runs. For better cleaning function, it can be installed with a motor. In addition to easy installation in even severe jobsite, the rubber brush cleaner can be maintained quickly by only replacing rubber brushes.



Advantages :

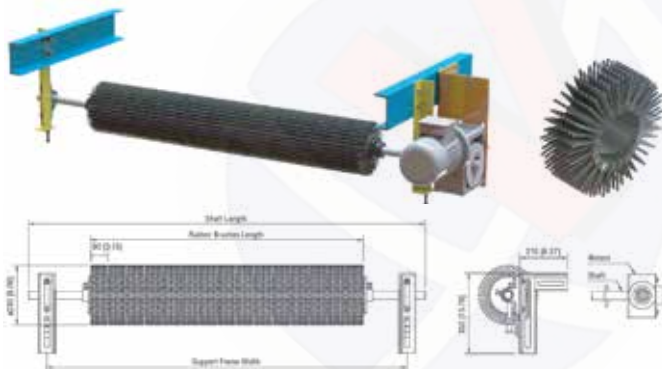
1. Optimal design, easy to install and adjust,
2. No power required, save cost.
3. Gentle contact without any wear-out to the belt, extending service life of belt.
4. Reduce carry back.

Model	Belt Width (mm)	L1 (mm)	L2 (mm)	L3 (mm)	L4 (mm)	OD(mm)	C (mm)	BRISTLE (mm)
ZE-XQ-II-500	500	600	500	740	804	240	Ø125	0.5-1.2
ZE-XQ-II-650	650	750	650	890	950	240	Ø125	0.5-1.2
ZE-XQ-II-800	800	900	800	1090	1154	240	Ø125	0.5-1.2
ZE-XQ-II-1000	1000	1100	1000	1290	1354	240	Ø125	0.5-1.2
ZE-XQ-II-1200	1200	1300	1200	1540	1604	240	Ø125	0.5-1.2
ZE-XQ-II-1400	1400	1500	1400	1740	1811	240	Ø125	0.5-1.2
ZE-XQ-II-1600	1600	1740	1600	1980	2051	240	Ø125	0.5-1.2
ZE-XQ-II-1800	1800	1940	1800	2180	2251	240	Ø125	0.5-1.2
ZE-XQ-II-2000	2000	2150	2000	2420	2492	240	Ø125	0.5-1.2

RUBBER BRUSH BELT CLEANER ชุดทำความสะอาดสายพานใช้มอเตอร์ส่งกำลัง

Rubber Brush Cleaner with Gear Box

Making use of theory of gear driving, by a diamond-grooved lagging hold-down roller upward, the rubber brush cleaner is driven to rotate in reversed direction from belt's to flick carryback off the belt. It is a better choice for wet sand belts, wood chip belts,



Advantages :

1. Easy to install.
2. Cleaning efficiently.
3. safe and reliable, longer service life, low maintenance cost
4. Continuous contact, efficient cleaning, good results.
5. Nylon brush, through a special process, is non material sticking and cale deposit.
6. Gentle contact without any wear-out to the belt, extending service life of belt,

Belt width : 500-2000 mm

Applicatones : Dry and fine materials

Avoid : Wet and stickymaterials

Temperature : -25 to 80 C.