

บริษัท วิริยะเทคโนโลยี จำกัด

64 ซอยกาญจนาภิเษก 4/1 ถนนกาญจนาภิเษก แขวงคลองบางบอน เขตบางบอน กรุงเทพมหานคร 10150

Tel: 02-4156026-8 Fax: 02-4156030

<http://www.viriyatechnology.com>

**VETCH-ESD**

## **ESD-AC2459 Cross Flow Ionizing Air Blower**



### **◆Product Feature**

- (1) Faster static eliminating speed alternating polarity AC high voltage high field and connect to special emission electrode to ionize air and gd lower ion balance
- (2) Wide range of ion airflow with large covering area
- (3) Stepless adjustment of fan speed with stable performance, convenient to clean and maintain
- (4) Installing angle adjustable, arbitrary switching between cold and warm wind

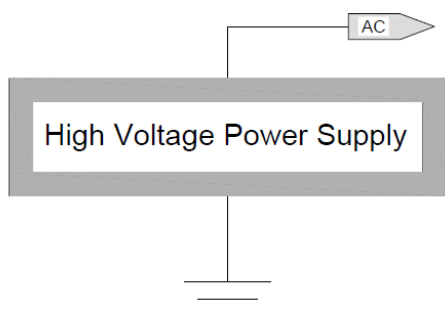
### **◆ Industry Application**

widely used in electronics、 plastic、 chemical、 printing and optics industry etc.

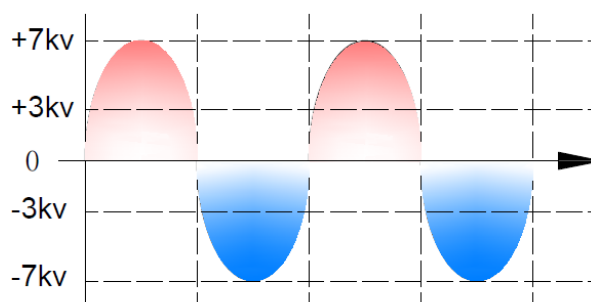
## ◆Specification

Model	AP-AC2459
Input voltage	AC 220V /50Hz or 110V/60Hz
Power	50W/250W (heat)
Ion balance	$\leq  \pm 10V $ (300mm testing center from the air outlet)
Discharge speed	$\leq 2s$ (300mm testing center from the air outlet)
Effective working range	600×1200mm (W*L)
Air volume	70~120CFM
Noise	$\leq 50-55db$ (150mm from the air outlet)
Ozone thickness	$\leq 0.03$ ppm (150mm from the air outlet)
Working temperature	0 ~ 50° C
Dimension	454*216*185mm (L*W*H)
Net weight	7.4kg
Gross weight	8.2kg(including packaging accessories)

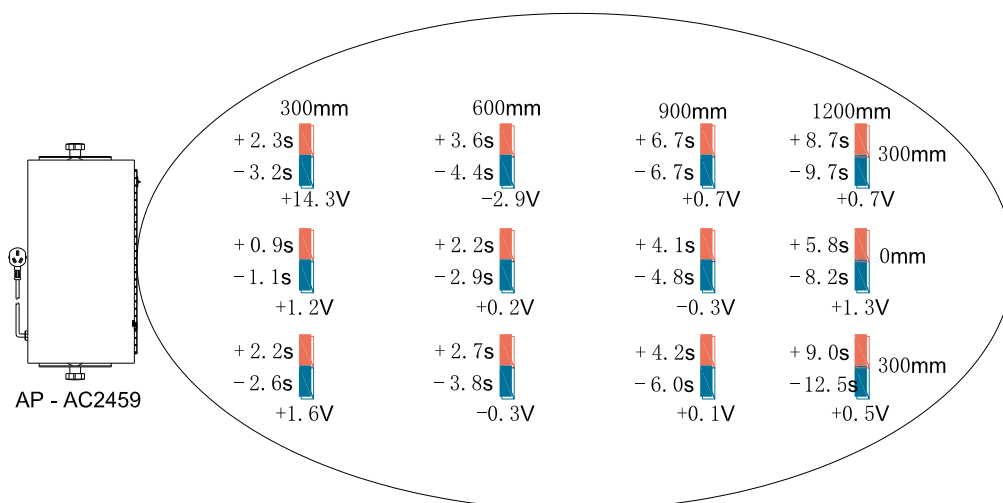
## ◆Working Ways (AC)



Power Frequency AC



## ◆Elimination Effect



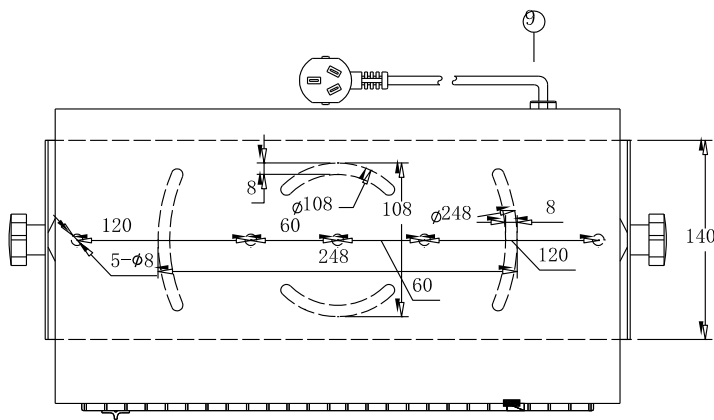
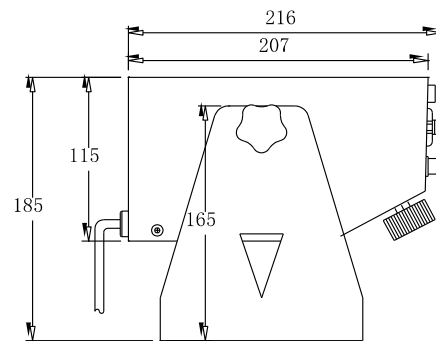
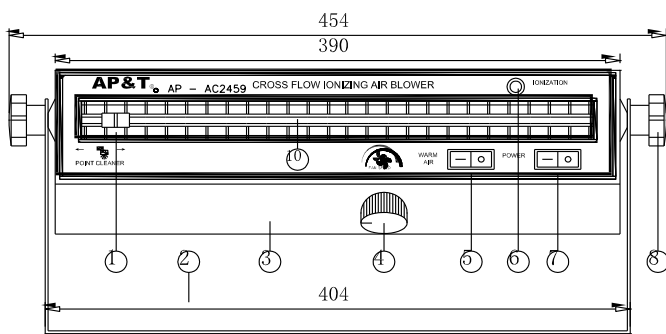
Testing instrument: 3M-711 Static tester

Testing standard: SJ/T10694-2006、GB/T14437-97

Testing voltage:  $\pm 1000$  —  $\pm 100V$  Attenuation

Testing environment: Humidity 30%—50% Temperature  $20\pm 5^{\circ}C$

### ◆ Outline Dimensional Drawing



图示:

- 1 电极清洁装置
- 2 安装支架
- 3 设备主体
- 4 风量调节
- 5 暖风开关
- 6 工作指示灯
- 7 总电源开关
- 8 螺杆把手
- 9 电源连接线
- 10 离子发射口

### ◆ Positioning

